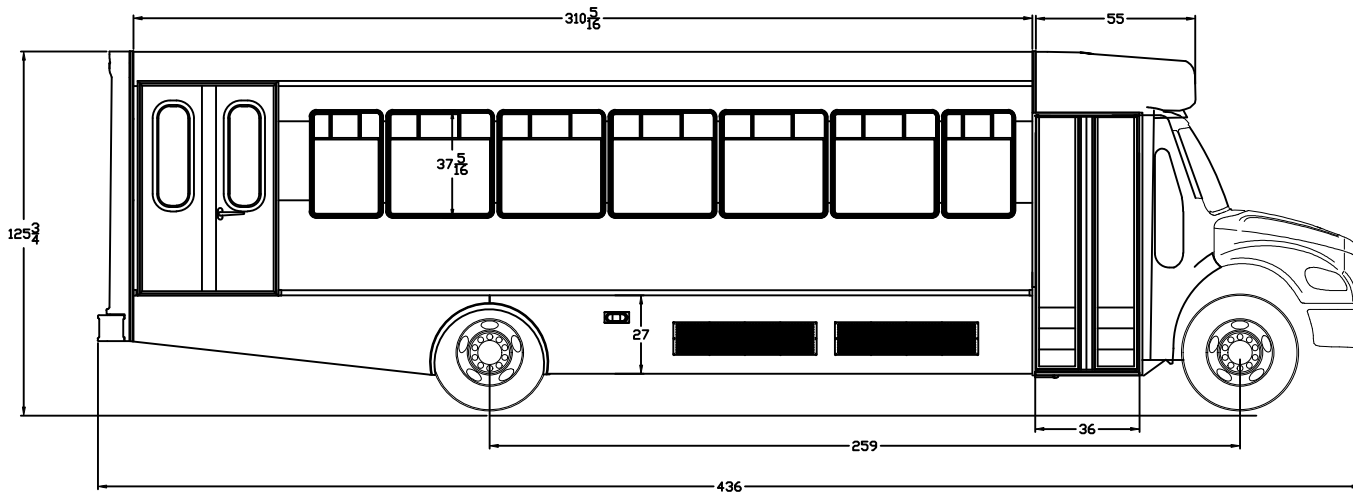
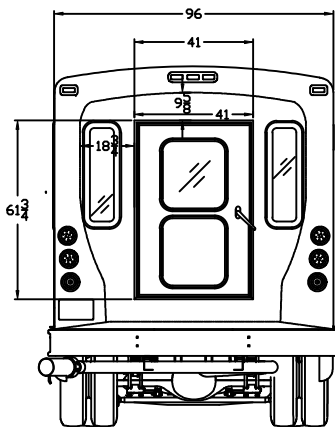
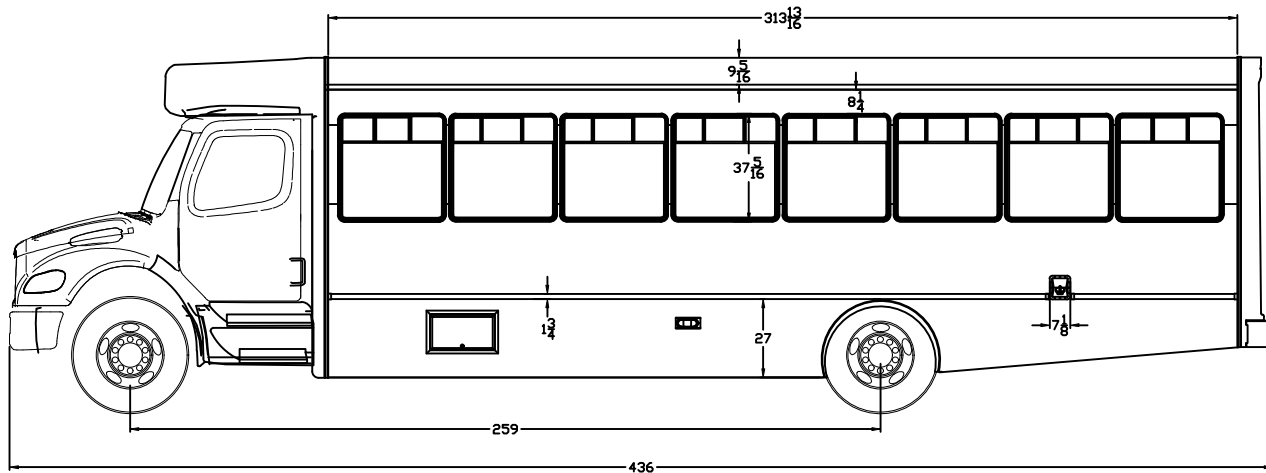
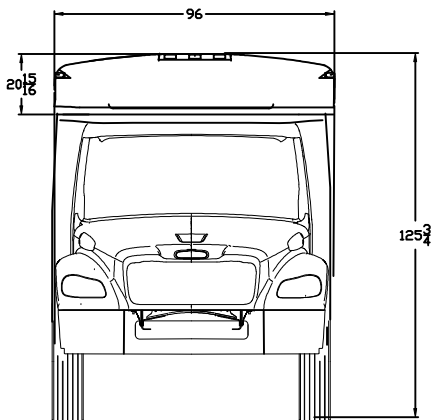


NOTE: ADD 2" FOR ROMED REAR BUMPER



THIS DRAWING AND THE INFORMATION THEREON ARE THE EXCLUSIVE PROPERTY OF STARTRANS BUS, A DIVISION OF FOREST RIVER. IT SHALL NOT BE COPIED OR DUPLICATED IN ANY MANNER, NOR SHALL IT BE SUBMITTED TO OUTSIDE PARTIES FOR EXAMINATION WITHOUT OUR WRITTEN CONSENT. IT IS LOANED FOR USE WITH REFERENCE TO WORK UNDER CONTRACT WITH, OR PROPOSALS SUBMITTED TO STARTRANS BUS, A DIVISION OF FOREST RIVER.

REV. LET.	DESCRIPTION OF CHANGE	BY	CHK	DATE	ECN No.

TOLERANCE UNLESS OTHERWISE SPECIFIED		 a division of Forest River, Inc.	
WOOD	OTHER	DATE: 09/21/21	TITLE: 259 WB 317 BODY
± 1/8"	± 1/16"	NAME: MK	FREIGHTLINER MODEL 36
± 1°	± 1/2°	DWG. No. 259 317 PS2 R LIFT	